



浙江浪奇科技有限公司
ZHEJIANG LONKEY TECHNOLOGY CO.,LTD

地址：浙江省台州市温岭市东部新区二十七街9号
ADD.: NO.9,27TH STREET,EAST INDUSTRY CENTER,
WENLING,TAIZHOU,ZHEJIANG,CHINA
Web: www.lonkey.com
E-mail: lonkey@lonkey.com
邮编(PC): 317525
Tel: +86-576-86330112
Fax: +86-576-86330113



Creating The No.1
Hot Water Circulator Pump
Manufacturer In China





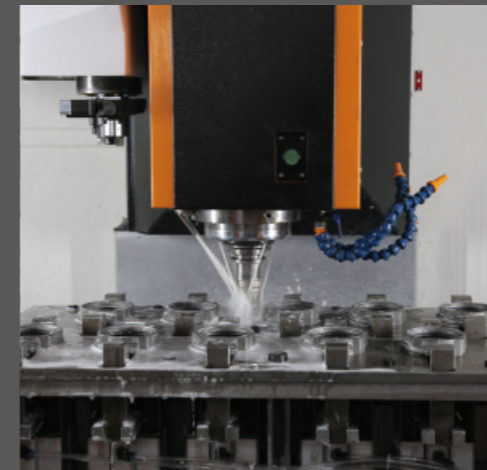
LONKEY[®]
浪奇水泵

The National standard drafting
unit of Circulation pump

屏蔽泵行业国家标准起草单位

Lonkey pump is the leader of the newly intelligent and frequency
technology in the same industry.

浪奇水泵最新研发的智能变频技术领先于同行业!



COMPANY PROFILE



1998

公司成立时间
Founding Time



25000m²

土地面积
Area Of Land



300W/台

年产能
Actual production

公司简介

   ISO9001 ISO14001



浙江浪奇科技有限公司位于浙江省温岭市，温岭作为全国最大的水泵生产基地，更是全球有名的泵业制造小镇。浪奇公司经过二十多年的发展，年产能达到150万台的小型水泵生产规模，是台州重点水泵骨干企业，更是热水循环泵国家标准起草单位之一。公司目前在温岭东部产业集聚区投入25000m²的土地面积，新工厂的建成将实现年产能300万台的生产目标，专业生产热水循环泵和壁挂炉水泵。

公司于1999年取得国家质量监督局颁发的《工业产品生产许可证》和农业部颁发的《农业机械推广许可证》，2000年通过了ISO9001:2000国际质量管理体系认证；2010年通过了ISO14001:2004环境管理体系认证；产品并通过了CCC、CE和RoHS等国外认证，是浙江高新技术企业。

浪奇公司核心产品有热水循环泵、家用增压泵、小型潜水电泵等。专业生产热水循环泵，是国家火炬计划项目，属国内首家开发设计，产品获国家多项专利。公司在产品开发上不断优化结构性能和美观，提高产品的性价比，使浪奇水泵在国内各大中城市的销售网络逐步完善和细化。在国际市场欧洲、美洲、澳洲、中东、东南亚、台湾、香港等国家和地区建立起更加稳固的贸易合作伙伴。

Zhejiang Lonkey Technology Co.,Ltd is located in Wenling city of Zhejiang province which is not only the biggest water pumps production base of China, but also the most famous town of pump production all over the world. After 20 years development, our annual production capacity reaches to 1,500,000 sets. Lonkey is the leader pump enterprise in Taizhou. Our company established new modernized standard factory plants cover 25,000m² in Wenling eastern industrial area and is professional for manufacturing hot water circulation pump and gas boiler pump, we are fighting for realizing 3,000,000 sets production goal.

Lonkey is one of the drafting enterprises of National standard for hot water circulation pump. In 1999, our company gained the Production License of Industrial Product is used by State Bureau of Technical Supervision and then the Promotion License of Agricultural Machine issued by Ministry of Agriculture. In 2000, we earned the ISO9001:2000 certificate. In 2010, we earned the ISO14001:2004 Environment Management System Certification. We also gained CCC, CE, and ROHS certificates. Lonkey is honored with High and New Technology companies by Zhejiang government.

Our main products are hot water circulation pump, household booster pump and submersible pump, etc. We are the first domestic manufacturer of the hot water circulation pumps which is China Torch Project item with many National patents. Production innovation and excellent quality makes Lonkey brand spread all over the big or medium cities in domestic markets. We also establish a good and stabilize cooperation with the business partner from Europe, American, Australia, Asia, the middle East, Taiwan, Hongkong.

LPS A-class Intelligent Circulator Pump (With PWM System)

Features Overview

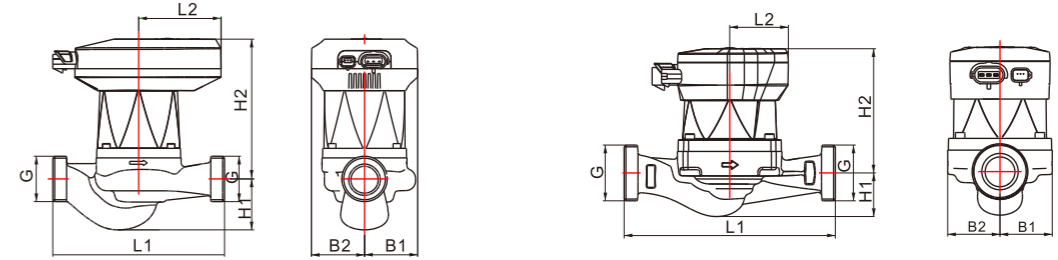
- Pump Body: Cast iron
- Impeller: PEI
- Motor Housing: Aluminium
- Rotor Can: Stainless Steel
- Shaft: Ceramic
- Back Plate: Stainless Steel
- Bearing: Ceramic
- Insulation Class: F
- Protection Class: IP 44



Creating The No.1 Hot Water Circulator Pump Manufacturer In China
打造中国热水循环泵第一品牌

LONKEY
浪奇水泵

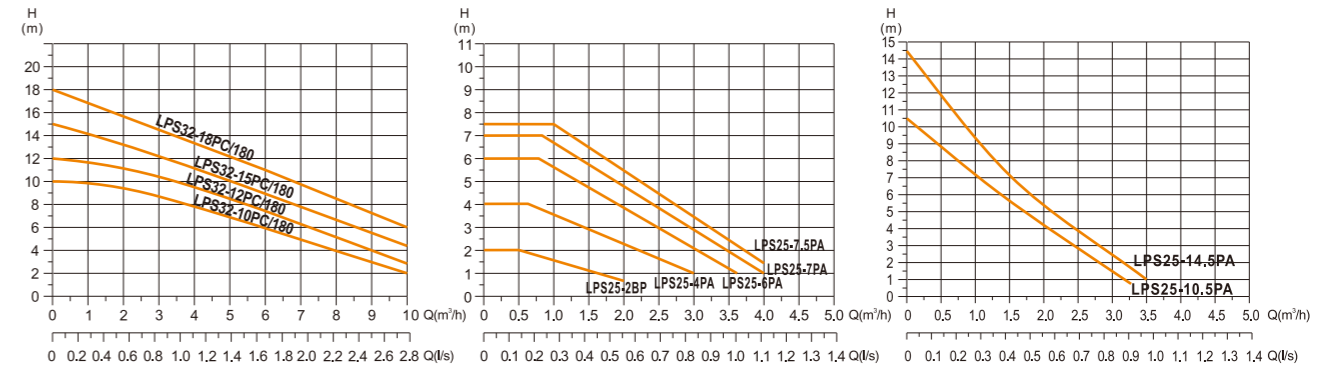
Instructions 安装尺寸



| 型号(Model) | DIMENSION | | | | | | |
|----------------|-----------|----|----|----|----|-----|----|
| | L1 | L2 | B1 | B2 | H1 | H2 | G |
| LPS25-18PC/180 | 180 | 86 | 56 | 56 | 54 | 147 | 1½ |
| LPS32-18PC/180 | 180 | 86 | 56 | 56 | 54 | 147 | 2 |

| 型号(Model) | DIMENSION | | | | | | |
|------------------|-----------|----|----|----|----|-----|----|
| | L1 | L2 | B1 | B2 | H1 | H2 | G |
| LPS25-7.5PA/180 | 180 | 50 | 45 | 45 | 38 | 106 | 1½ |
| LPS25-10.5PA/180 | 180 | 50 | 45 | 45 | 38 | 106 | 1½ |
| LPS25-14.5PA/180 | 180 | 50 | 45 | 45 | 26 | 118 | 1½ |

Graphs 曲线图



| 型号 Model | 进出口径 Pipe size | 功率 Power [w] | 转速 Speed[r/min] | 最大流量 Max-flow [l/min] | 最大扬程 Max-head[m] | 安装长度 Port to port [mm] |
|--------------|-------------------|-----------------|--------------------|--------------------------|---------------------|---------------------------|
| LPS25-4PA | G1 1/2", DN25mm | 25 | 4360 | 75 | 4 | 130/180 |
| LPS25-5PA | G1 1/2", DN25mm | 33 | 4838 | 75 | 5 | 130/180 |
| LPS25-6PA | G1 1/2", DN25mm | 39 | 5288 | 75 | 6 | 130/180 |
| LPS25-7PA | G1 1/2", DN25mm | 52 | 5766 | 75 | 7 | 130/180 |
| LPS25-7.5PA | G1 1/2", DN25mm | 60 | 5991 | 75 | 7.5 | 130/180 |
| LPS25-10.5PA | G1 1/2", DN25mm | 52 | 5766 | 75 | 10.5 | 180 |
| LPS25-14.5PA | G1 1/2", DN25mm | 60 | 5991 | 75 | 14.5 | 180 |
| LPS25-10PB | G1 1/2", DN25mm | 100 | 1500-5600 | 75 | 10 | 180 |
| LPS32-10PB | G2", DN32mm | 100 | 1500-5600 | 90 | 10 | 180 |
| LPS25-12PB | G1 1/2", DN25mm | 130 | 1500-5600 | 90 | 12 | 180 |
| LPS32-12PB | G2", DN32mm | 130 | 1500-5600 | 105 | 12 | 180 |
| LPS25-10PC | G1 1/2", DN25mm | 180 | 1500-4600 | 120 | 10 | 180 |
| LPS32-10PC | G2", DN32mm | 180 | 1500-4600 | 150 | 10 | 180 |
| LPS25-12PC | G1 1/2", DN25mm | 220 | 1500-4600 | 125 | 12 | 180 |
| LPS32-12PC | G2", DN32mm | 220 | 1500-4600 | 160 | 12 | 180 |
| LPS25-15PC | G1 1/2", DN25mm | 300 | 1500-5600 | 135 | 15 | 180 |
| LPS32-15PC | G2", DN32mm | 300 | 1500-5600 | 170 | 15 | 180 |
| LPS25-18PC | G1 1/2", DN25mm | 360 | 1500-5600 | 150 | 18 | 180 |
| LPS32-18PC | G2", DN32mm | 360 | 1500-5600 | 190 | 18 | 180 |
| LPS40-16PF | DN40mm | 450 | 1500-5600 | 75 | 10 | 220 |
| LPS50-14PF | DN50mm | 450 | 1500-5600 | 90 | 10 | 220 |
| LPS40-20PF | DN40mm | 600 | 1500-5600 | 90 | 12 | 220 |
| LPS50-17PF | DN50mm | 600 | 1500-5600 | 105 | 12 | 220 |

LPS Intelligent Booster Pump

Features Overview

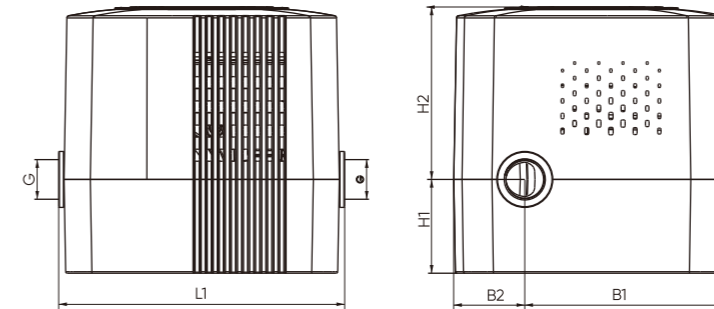
- Pump Body: Stainless Steel
- Impeller: PEI
- Motor Housing: Aluminium
- Rotor Can: Stainless Steel
- Shaft: Ceramic
- Back Plate: Stainless Steel
- Bearing: Ceramic
- Insulation Class: F
- Protection Class: IP 44



Creating The No.1 Hot Water Circulator Pump Manufacturer In China
打造中国热水循环泵第一品牌

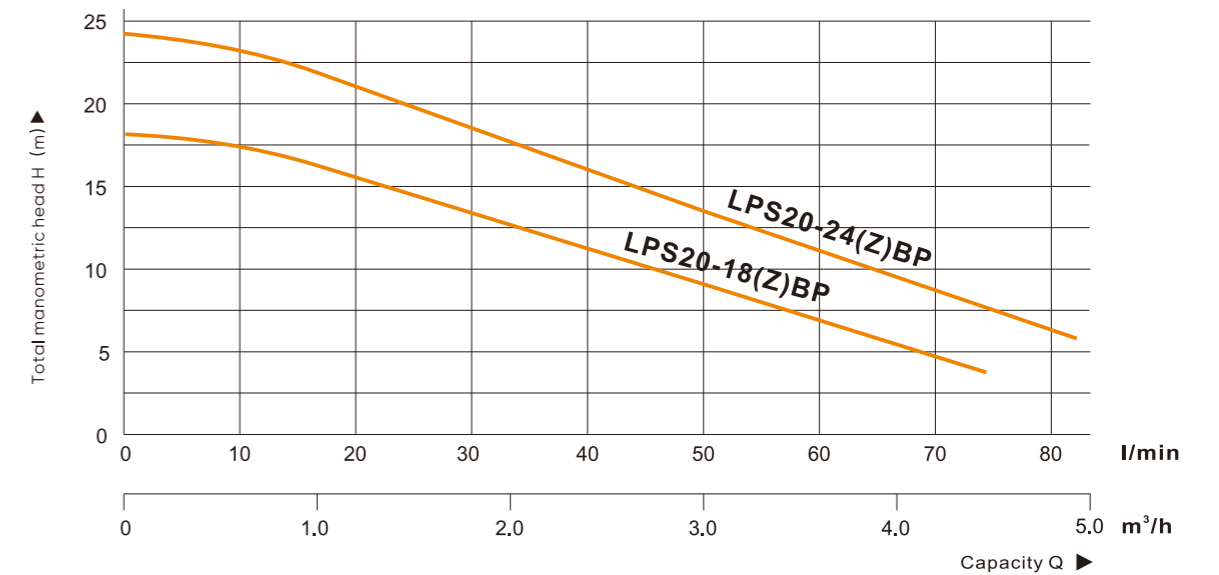
LONKEY
浪奇水泵

Instructions 安装尺寸



| 型号(Model) | DIMENSION | | | | | |
|---------------|-----------|-----|----|----|-----|-----|
| | L1 | B1 | B2 | H1 | H2 | G |
| LPS20-24(Z)BP | 189 | 135 | 47 | 62 | 114 | 3/4 |
| LPS20-18(Z)BP | 189 | 135 | 47 | 62 | 114 | 3/4 |

Graphs 曲线图

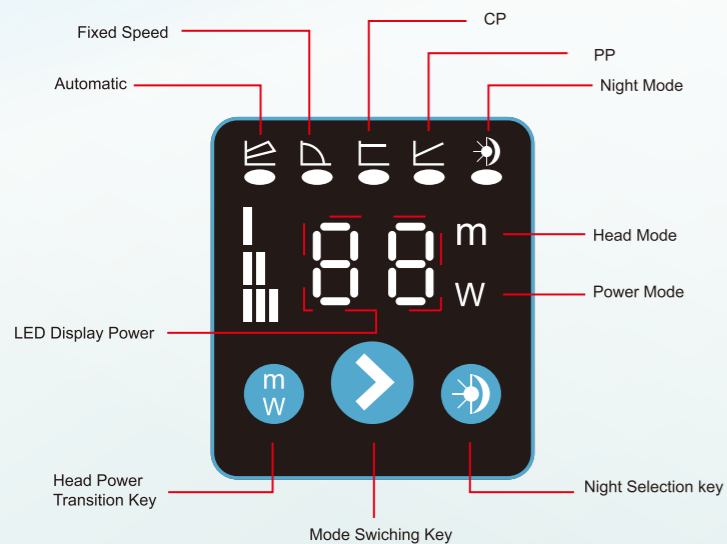
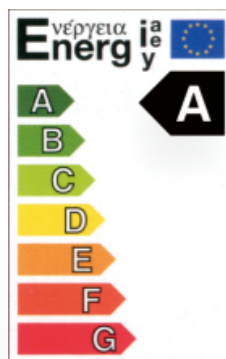


| 型号 Model | 进出口径 Pipe size | 功率 Power [w] | 最大流量 Max-flow [l/min] | 最大扬程 Max-head[m] | 安装长度 Port to port [mm] | 重量 G.W[kg] |
|---------------|-------------------|-----------------|--------------------------|---------------------|---------------------------|---------------|
| LPS20-18(Z)BP | G3/4", DN20mm | 200 | 80 | 18 | 189 | 3.8 |
| LPS20-24(Z)BP | G3/4", DN20mm | 300 | 90 | 24 | 189 | 3.8 |

LPS A-class Intelligent Circulator Pump

Features Overview

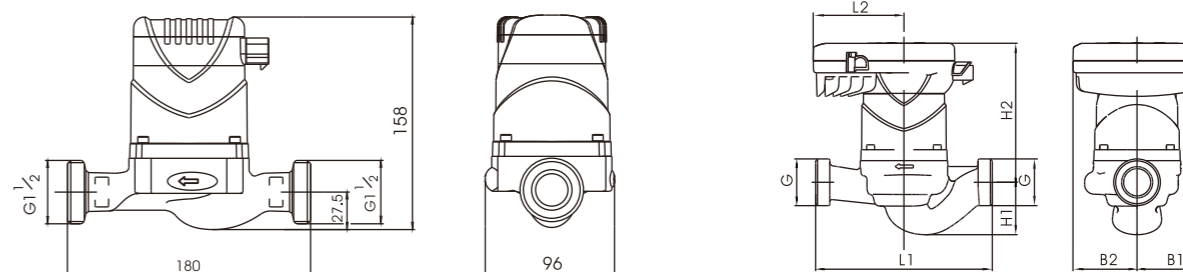
Pump Body: Cast iron
 Impeller: PP
 Motor Housing: Aluminium
 Rotor Can: Stainless Steel
 Shaft: Ceramic
 Back Plate: Stainless Steel
 Bearing: Ceramic
 Insulation Class: F
 Protection Class: IP 44



Creating The No.1 Hot Water Circulator Pump Manufacturer In China
 打造中国热水循环泵第一品牌

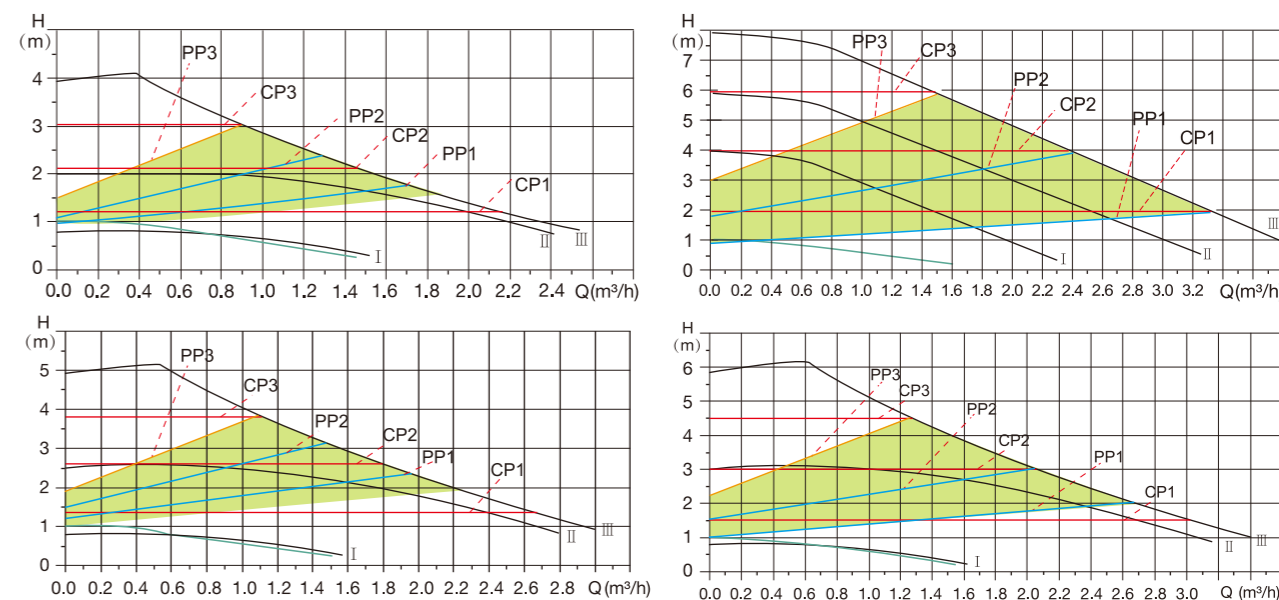
LONKEY
 浪奇水泵

Instructions 安装尺寸



| 型号(Model) | DIMENSION | | | | | | |
|----------------|-----------|----|----|----|----|-----|----|
| | L1 | L2 | B1 | B2 | H1 | H2 | G |
| LPS25-8BP/180 | 180 | 93 | 73 | 66 | 54 | 142 | 1½ |
| LPS32-8BP/180 | 180 | 93 | 73 | 66 | 54 | 142 | 1 |
| LPS25-10BP/180 | 180 | 93 | 73 | 66 | 54 | 142 | 1½ |
| LPS32-10BP/180 | 180 | 93 | 73 | 66 | 54 | 142 | 2 |
| LPS15-21(Z)BP | 140 | 93 | 73 | 66 | 23 | 145 | ¾ |
| LPS20-16(Z)BP | 130 | 93 | 73 | 66 | 28 | 144 | 1 |

Graphs 曲线图

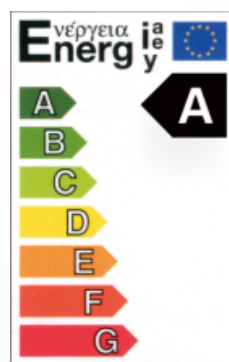


| 型号 Model | 进出口径 Pipe size | 功率 Power [w] | 最大流量 Max-flow [l/min] | 最大扬程 Max-head[m] | 安装长度 Port to port [mm] | 重量 G.W[kg] |
|-----------------|-------------------|-----------------|--------------------------|---------------------|---------------------------|---------------|
| LPS20-4BP-A | G 1",DN20mm | 22 | 46 | 4 | 130 | 2.6 |
| LPS20-5BP-A | G 1",DN20mm | 32 | 50 | 5 | 130 | 2.6 |
| LPS20-6BP-A | G 1",DN20mm | 45 | 52 | 6 | 130 | 2.6 |
| LPS25-4BP-A | G1 1/2",DN 25mm | 22 | 46 | 4 | 130/180 | 2.8 |
| LPS25-5BP-A | G1 1/2",DN 25mm | 32 | 50 | 5 | 130/180 | 2.8 |
| LPS25-6BP-A | G1 1/2",DN 25mm | 45 | 52 | 6 | 130/180 | 2.8 |
| LPS32-4BP-A | G2",DN 32mm | 22 | 46 | 4 | 180 | 2.8 |
| LPS32-5BP-A | G2",DN 32mm | 32 | 50 | 5 | 180 | 2.8 |
| LPS32-6BP-A | G2",DN 32mm | 45 | 52 | 6 | 180 | 2.8 |
| LPS25-8BP-A | G1 1/2",DN 25mm | 65 | 60 | 8 | 130/180 | 2.8 |
| LPS32-8BP-A | G2",DN 32mm | 65 | 70 | 8 | 180 | 2.8 |
| LPS25-8BP-C | G 1.5",DN25mm | 130 | 100 | 8 | 180 | 3.5 |
| LPS32-8BP-C | G 2",DN32mm | 130 | 130 | 8 | 180 | 3.5 |
| LPS25-10BP-C | G 1.5",DN25mm | 180 | 120 | 10 | 180 | 3.5 |
| LPS32-10BP-C | G 2",DN32mm | 180 | 150 | 10 | 180 | 3.5 |
| LPS25-16(Z)BP-C | G 1",DN20mm | 180 | 100 | 16 | 130 | 3 |
| LPS15-21(Z)BP-C | G 3/4", DN15mm | 180 | 50 | 21 | 140 | 3 |

LPS A-class Intelligent Circulator Pump

Features Overview

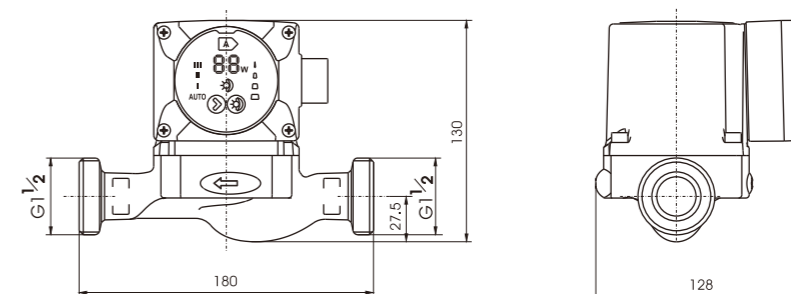
- Pump Body: Cast iron
- Impeller: PP
- Motor Housing: Aluminium
- Rotor Can: Stainless Steel
- Shaft: Ceramic
- Back Plate: Stainless Steel
- Bearing: Ceramic
- Insulation Class: F
- Protection Class: IP 44



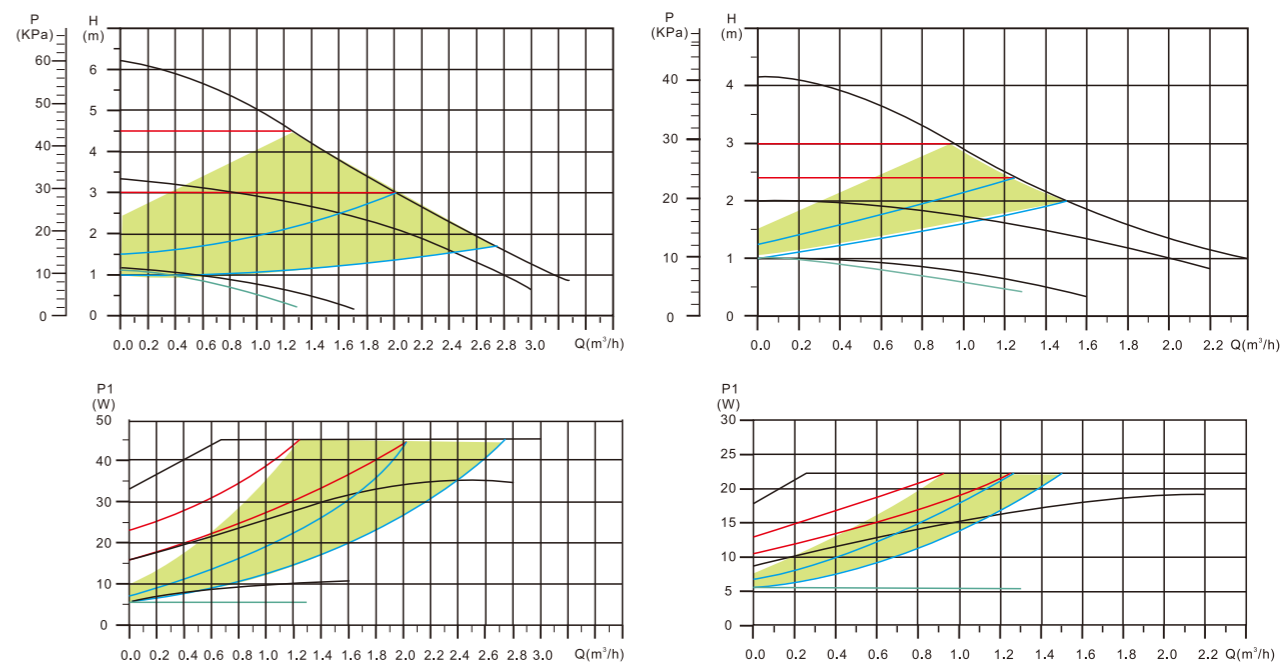
Creating The No.1 Hot Water Circulator Pump Manufacturer In China
打造中国热水循环泵第一品牌

LONKEY
浪奇水泵

Instructions 安装尺寸



Graphs 曲线图



| 型号 Model | 进出口径 Pipe size | 功率 Power [w] | 最大流量 Max-flow [l/min] | 最大扬程 Max-head[m] | 安装长度 Port to port [mm] | 重量 G.W[kg] |
|-------------|-------------------|-----------------|--------------------------|---------------------|---------------------------|---------------|
| LPS20-4BP-B | G 1",DN20mm | 22 | 46 | 4 | 130 | 2.6 |
| LPS20-5BP-B | G 1",DN20mm | 32 | 50 | 5 | 130 | 2.6 |
| LPS20-6BP-B | G 1",DN20mm | 45 | 52 | 6 | 130 | 2.6 |
| LPS25-4BP-B | G1 1/2",DN 25mm | 22 | 46 | 4 | 130/180 | 2.8 |
| LPS25-5BP-B | G1 1/2",DN 25mm | 32 | 50 | 5 | 130/180 | 2.8 |
| LPS25-6BP-B | G1 1/2",DN 25mm | 45 | 52 | 6 | 130/180 | 2.8 |
| LPS32-4BP-B | G2",DN 32mm | 22 | 46 | 4 | 180 | 2.8 |
| LPS32-5BP-B | G2",DN 32mm | 32 | 50 | 5 | 180 | 2.8 |
| LPS32-6BP-B | G2",DN 32mm | 45 | 52 | 6 | 180 | 2.8 |
| LPS25-8BP-B | G1 1/2",DN 25mm | 65 | 60 | 8 | 130/180 | 2.8 |
| LPS32-8BP-B | G2",DN32mm | 65 | 70 | 8 | 180 | 2.8 |

LGS Circulator Pump

Features Overview

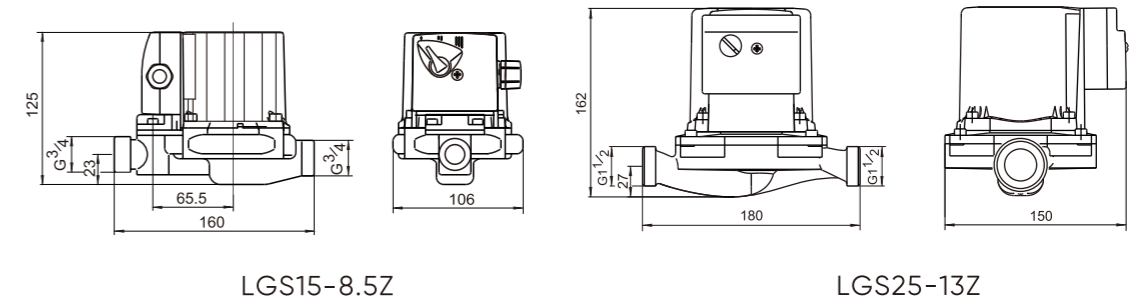
Pump Body: Brass
 Impeller: PP/Stainless Steel
 Motor Housing: Aluminium
 Rotor Can: Stainless Steel
 Shaft: Ceramic /Stainless Steel
 Back Plate: Stainless Steel
 Bearing: Ceramic /Graphite
 Insulation Class: F
 Protection Class: IP 44



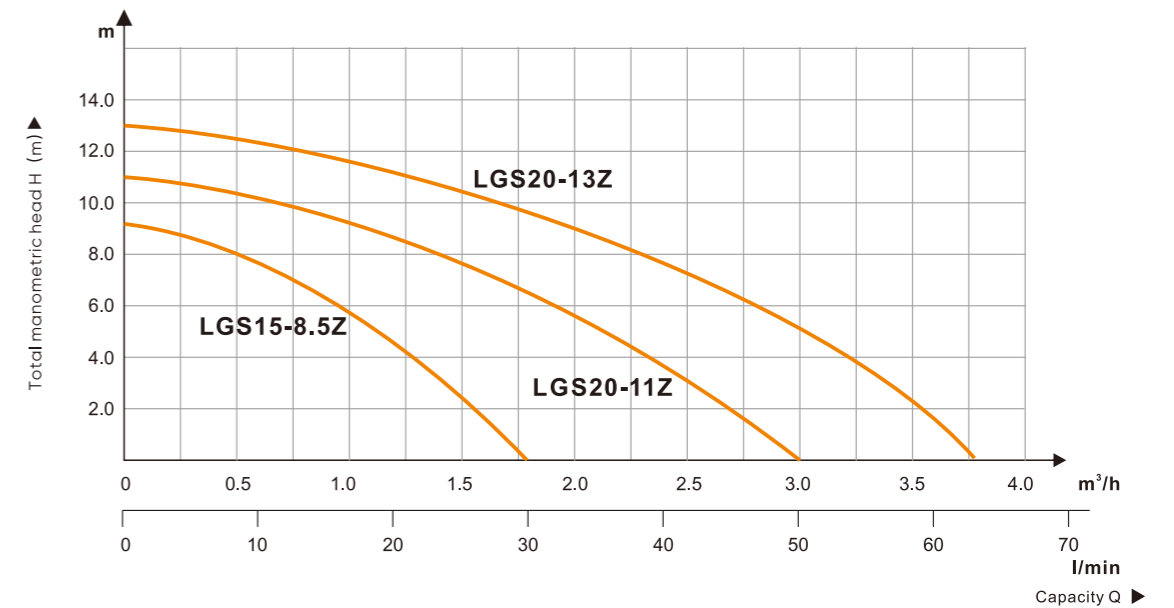
Creating The No.1 Hot Water Circulator Pump Manufacturer In China
 打造中国热水循环泵第一品牌



Instructions 安装尺寸



Graphs 曲线图



| 型号 Model | 进出口径 Pipe size | 功率 Power [w] | 最大流量 Max-flow [l/min] | 最大扬程 Max-head [m] | 安装长度 Port to port [mm] | 重量 G.W [kg] |
|-------------|-------------------|-----------------|--------------------------|----------------------|---------------------------|----------------|
| LGS15-8.5Z | G3/4", DN15mm | 100 | 30 | 8.5 | 160 | 3.2 |
| LGS20-11Z | G 1", DN 20mm | 180 | 50 | 11 | 200 | 5.5 |
| LGS20-13Z | G 1", DN 20mm | 260 | 65 | 13 | 200 | 6.3 |
| LGS25-13Z | G 1 1/2", DN 25mm | 260 | 65 | 13 | 180 | 6.4 |
| LGS20-4S | G 1", DN 20mm | 85 | 46 | 4 | 130 | 2.6 |
| LGS20-5S | G 1", DN 20mm | 100 | 50 | 5 | 130 | 2.6 |
| LGS20-6S | G 1", DN 20mm | 100 | 52 | 6 | 130/180 | 2.6 |
| LGS25-4S | G 1 1/2", DN 25mm | 85 | 46 | 4 | 130/180 | 2.8 |
| LGS25-5S | G 1 1/2", DN 25mm | 100 | 50 | 5 | 130/180 | 2.8 |
| LGS25-6S | G 1 1/2", DN 25mm | 100 | 52 | 6 | 130/180 | 2.8 |
| LGS25-8S-G | G 1 1/2", DN 25mm | 260 | 90 | 8 | 180 | 4.8 |

LXS Circulator Pump

Features Overview

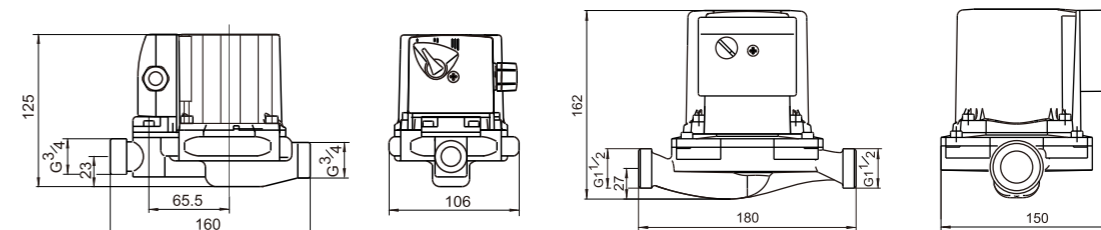
Pump Body: Stainless Steel
 Impeller: PP/Stainless Steel
 Motor Housing: Aluminium
 Rotor Can: Stainless Steel
 Shaft: Ceramic /Stainless Steel
 Back Plate: Stainless Steel
 Bearing: Ceramic /Graphite
 Insulation Class: F
 Protection Class: IP 44



Creating The No.1 Hot Water Circulator Pump Manufacturer In China
 打造中国热水循环泵第一品牌

LONKEY
 浪奇水泵

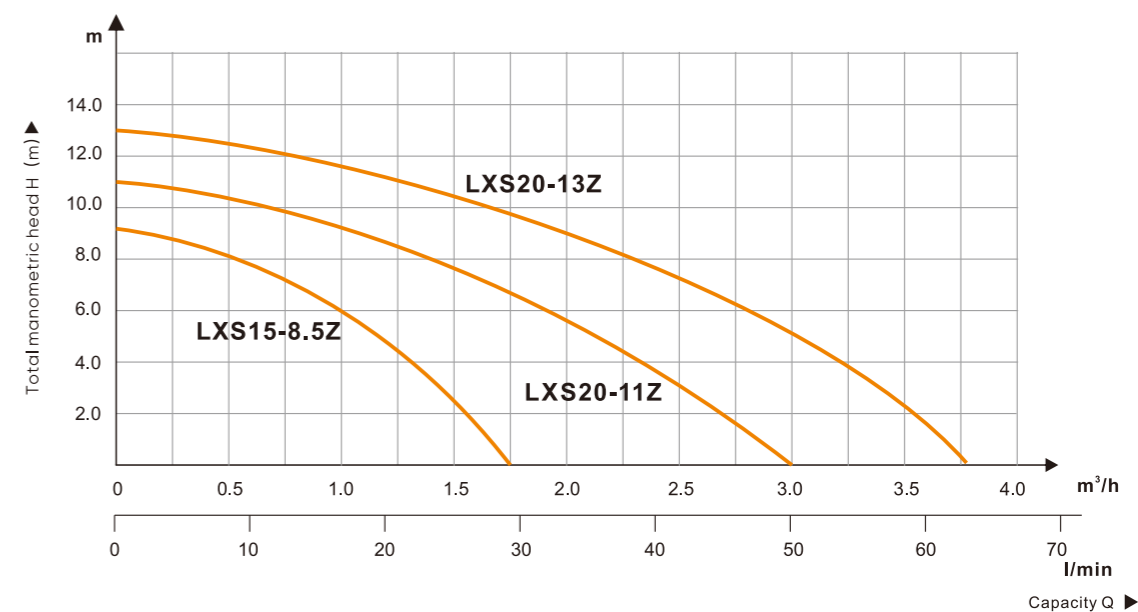
Instructions 安装尺寸



LXS15-8.5Z

LXS25-13Z

Graphs 曲线图



| 型号 Model | 进出口径 Pipe size | 功率 Power [w] | 最大流量 Max-flow [l/min] | 最大扬程 Max-head [m] | 安装长度 Port to port [mm] | 重量 G.W [kg] |
|-------------|-------------------|-----------------|--------------------------|----------------------|---------------------------|----------------|
| LXS15-8.5Z | G3/4", DN15mm | 100 | 30 | 8.5 | 160 | 3.2 |
| LXS20-11Z | G 1", DN 20mm | 180 | 50 | 11 | 200 | 5.5 |
| LXS20-13Z | G 1", DN 20mm | 260 | 65 | 13 | 200 | 5.6 |
| LXS20-4S | G 1", DN 20mm | 85 | 46 | 4 | 130 | 2.6 |
| LXS20-5S | G 1", DN 20mm | 100 | 50 | 5 | 130 | 2.6 |
| LXS20-6S | G 1", DN 20mm | 100 | 52 | 6 | 130/180 | 2.6 |
| LXS25-4S | G 1 1/2", DN 25mm | 85 | 46 | 4 | 130/180 | 2.8 |
| LXS25-5S | G 1 1/2", DN 25mm | 100 | 50 | 5 | 130/180 | 2.8 |
| LXS25-6S | G 1 1/2", DN 25mm | 100 | 52 | 6 | 130/180 | 2.8 |
| LXS25-8S-G | G 1 1/2", DN 25mm | 260 | 90 | 8 | 180 | 4.8 |

LPS Circulator Pump

Features Overview

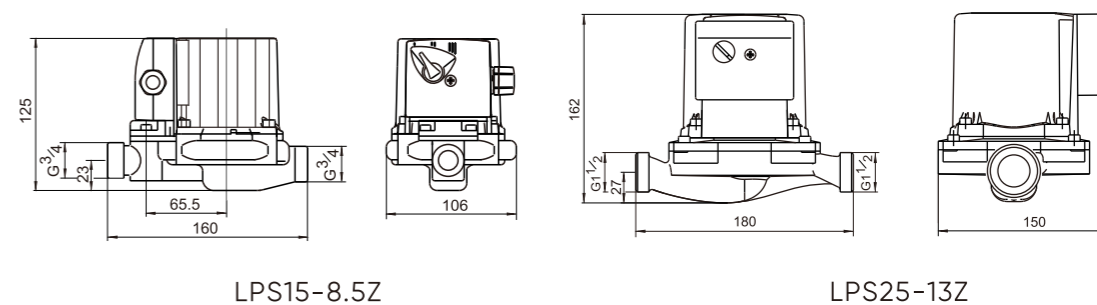
Pump Body: Cast iron
 Impeller: PP/Stainless Steel
 Motor Housing: Aluminium
 Rotor Can: Stainless Steel
 Shaft: Ceramic /Stainless Steel
 Back Plate: Stainless Steel
 Bearing: Ceramic /Graphite
 Insulation Class: F
 Protection Class: IP 44



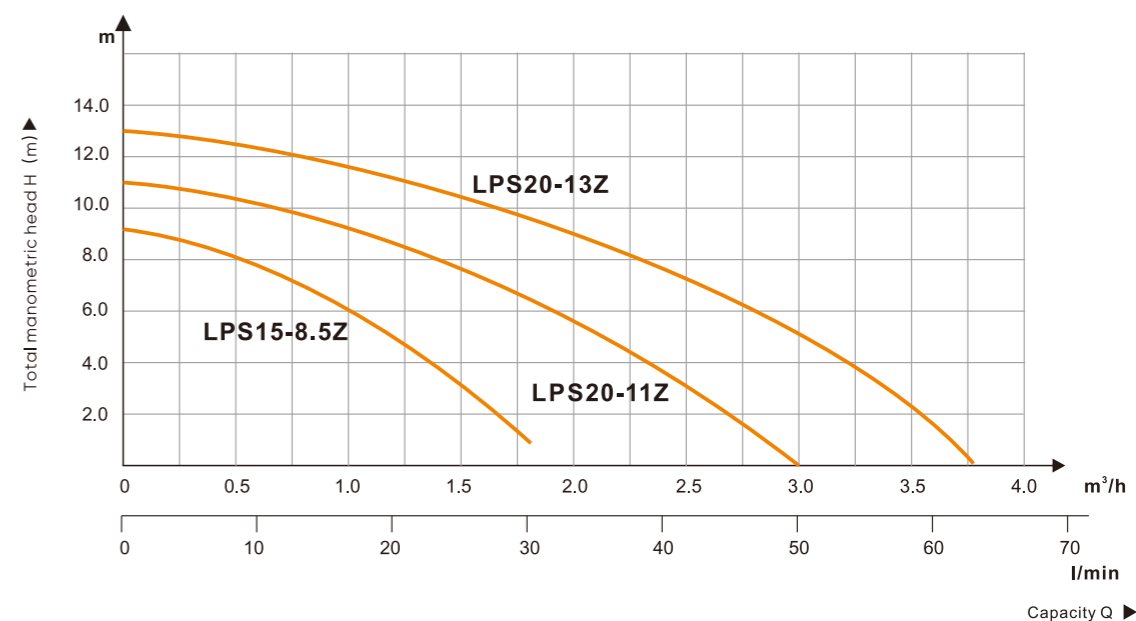
Creating The No.1 Hot Water Circulator Pump Manufacturer In China
 打造中国热水循环泵第一品牌

LONKEY
 浪奇水泵

Instructions 安装尺寸



Graphs 曲线图



| 型号 Model | 进出口径 Pipe size | 功率 Power [w] | 最大流量 Max-flow [l/min] | 最大扬程 Max-head [m] | 安装长度 Port to port [mm] | 重量 G.W [kg] |
|-------------|-------------------|-----------------|--------------------------|----------------------|---------------------------|----------------|
| LPS15-8.5Z | G3/4, DN15mm | 100 | 30 | 8.5 | 160 | 3.2 |
| LPS15-10Z | G3/4, DN15mm | 150 | 35 | 10 | 160 | 3.9 |
| LPS20-11Z | G 1", DN20mm | 180 | 50 | 11 | 200 | 5.5 |
| LPS25-11Z | G1 1/2", DN 25mm | 180 | 65 | 11 | 180 | 5.5 |
| LPS20-13Z | G 1", DN20mm | 260 | 65 | 13 | 200 | 6.3 |
| LPS25-13Z | G1 1/2", DN 25mm | 260 | 65 | 13 | 180 | 6.4 |

LPS Circulator Pump

Features Overview

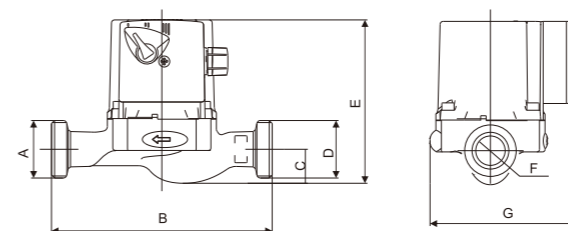
Pump Body: Cast iron
 Impeller: PP/Stainless Steel
 Motor Housing: Aluminium
 Rotor Can: Stainless Steel
 Shaft: Ceramic /Stainless Steel
 Back Plate: Stainless Steel
 Bearing: Ceramic /Graphite
 Insulation Class: F
 Protection Class: IP 44



Creating The No.1 Hot Water Circulator Pump Manufacturer In China
 打造中国热水循环泵第一品牌

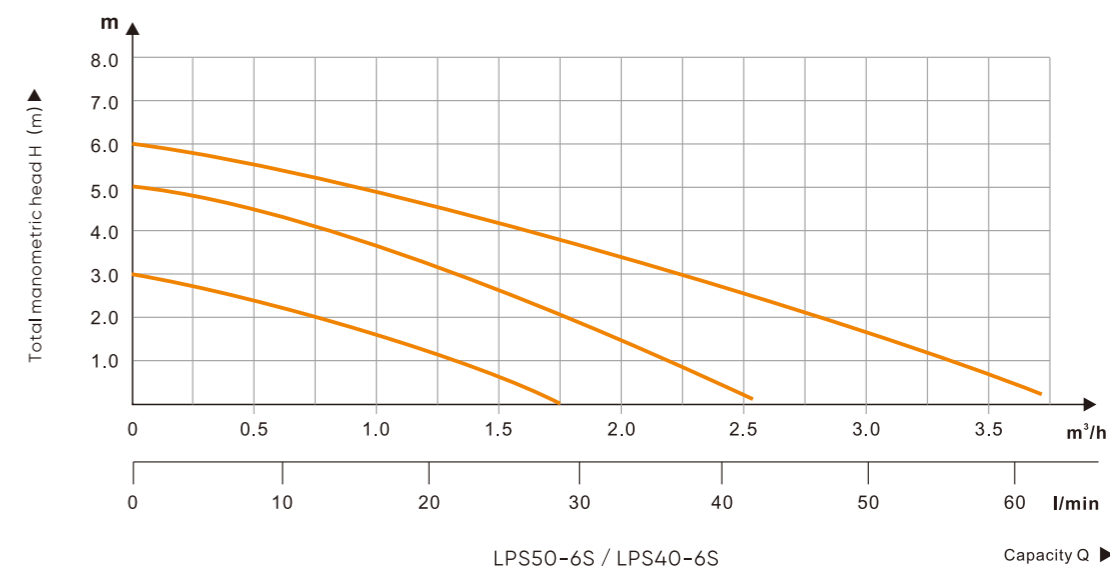
LONKEY
 浪奇水泵

Instructions 安装尺寸



| 型号(Model) | A | B | C | D | E | F | G |
|-----------|--------|---------|------|--------|-----|----|-----|
| LPS32-6S | 2" | 180 | 27.5 | 2" | 129 | 32 | 123 |
| LPS32-4S | 2" | 180 | 27.5 | 2" | 129 | 32 | 123 |
| LPS25-6S | 1 1/2" | 130/180 | 27.5 | 1 1/2" | 129 | 25 | 123 |
| LPS25-4S | 1 1/2" | 130/180 | 27.5 | 1 1/2" | 129 | 25 | 123 |
| LPS20-6S | 1" | 130 | 27.5 | 1" | 129 | 20 | 123 |
| LPS20-4S | 1" | 130 | 27.5 | 1" | 129 | 20 | 123 |

Graphs 曲线图



| 型号 Model | 进出口径 Pipe size | 功率 Power [w] | 最大流量 Max-flow [l/min] | 最大扬程 Max-head [m] | 安装长度 Port to port [mm] | 重量 G.W [kg] |
|-------------|-------------------|-----------------|--------------------------|----------------------|---------------------------|----------------|
| LPS15-4 | G 3/4, DN15mm | 85 | 30 | 4 | 130 | 2.6 |
| LPS15-6 | G 3/4, DN15mm | 100 | 30 | 6 | 130 | 2.6 |
| LPS15-8.5 | G 3/4, DN15mm | 100 | 30 | 8.5 | 140 | 2.9 |
| LPS20-4 | G 1", DN20mm | 85 | 46 | 4 | 130 | 2.6 |
| LPS20-6 | G 1", DN20mm | 100 | 52 | 6 | 130 | 2.6 |
| LPS20-4S | G 1", DN20mm | 85/63/40 | 46 | 4 | 130 | 2.6 |
| LPS20-6S | G 1", DN20mm | 100/67/46 | 52 | 6 | 130 | 2.6 |
| LPS25-4S | G1 1/2", DN 25mm | 85/63/40 | 46 | 4 | 130/180 | 2.8 |
| LPS25-6S | G1 1/2", DN 25mm | 100/67/46 | 65 | 6 | 130/180 | 2.8 |
| LPS32-4S | G2", DN 32mm | 85/63/40 | 46 | 4 | 180 | 2.9 |
| LPS32-6S | G2", DN 32mm | 100/67/46 | 65 | 6 | 180 | 2.9 |
| LPS25-8S | G1 1/2", DN 25mm | 260/210/140 | 90 | 8 | 180 | 4.8 |
| LPS32-8S | G2", DN 32mm | 260/210/140 | 105 | 8 | 180 | 5.0 |
| LPS25-8S-G | G1 1/2", DN 25mm | 260/210/140 | 90 | 8 | 180 | 4.8 |
| LPS32-8S-G | G2", DN 32mm | 260/210/140 | 105 | 8 | 180 | 5.0 |

LPS Wall Hung Gas Boiler Pump

Features Overview

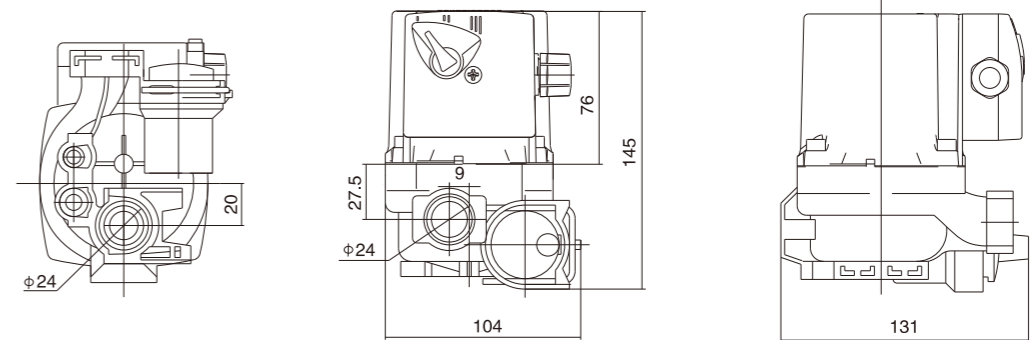
Pump Body: Nylon
 Impeller: PP
 Motor Housing: Aluminium
 Rotor Can: Stainless Steel
 Shaft: Ceramic
 Back Plate: Stainless Steel
 Bearing: Ceramic
 Insulation Class: F
 Protection Class: IP 44



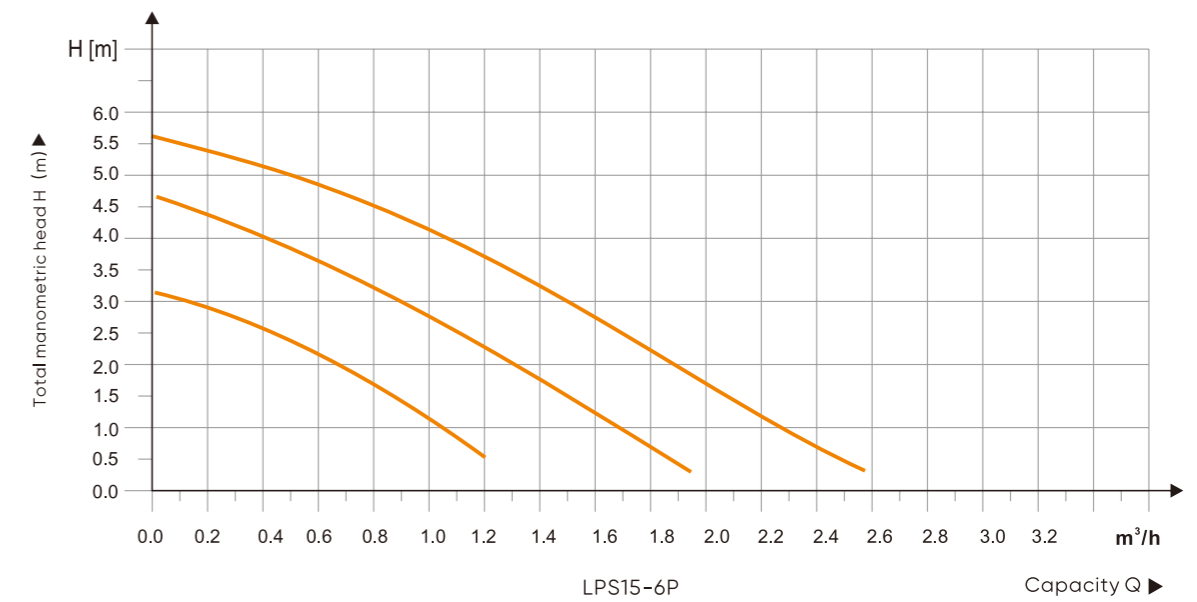
Creating The No.1 Hot Water Circulator Pump Manufacturer In China
 打造中国热水循环泵第一品牌

LONKEY
 浪奇水泵

Instructions 安装尺寸



Graphs 曲线图



| 型号 Model | 进出口径 Pipe size | 功率 Power [w] | 最大流量 Max-flow [l/min] | 最大扬程 Max-head [m] | 重量 G.W [kg] |
|-------------|-------------------|-----------------|--------------------------|----------------------|----------------|
| LPS15-4P | DN 15mm | 85/63/40 | 33/25/17 | 4.0/3.5/2.5 | 1.7 |
| LPS15-5P | DN 15mm | 92/65/43 | 37/30/17 | 5.0/4.0/2.5 | 1.8 |
| LPS15-6P | DN 15mm | 100/67/46 | 42/34/20 | 5.7/4.5/3.0 | 1.8 |
| LPS15-7P | DN 15mm | 155/120/75 | 47/34/20 | 6.5/5.0/3.5 | 2.0 |

LPS Circulator Pump With Flange

Features Overview

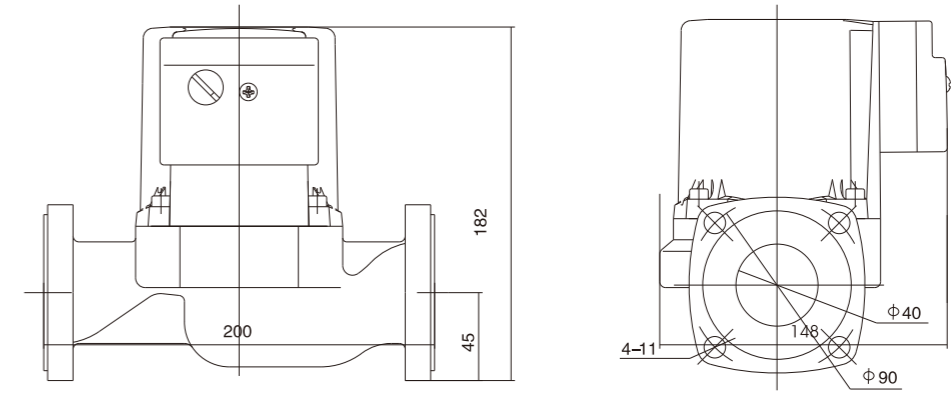
- Pump Body: Cast iron
- Impeller: PP
- Motor Housing: Aluminium
- Rotor Can: Stainless Steel
- Shaft: Stainless Steel
- Back Plate: Stainless Steel
- Bearing: Graphite
- Insulation Class: F
- Protection Class: IP 44



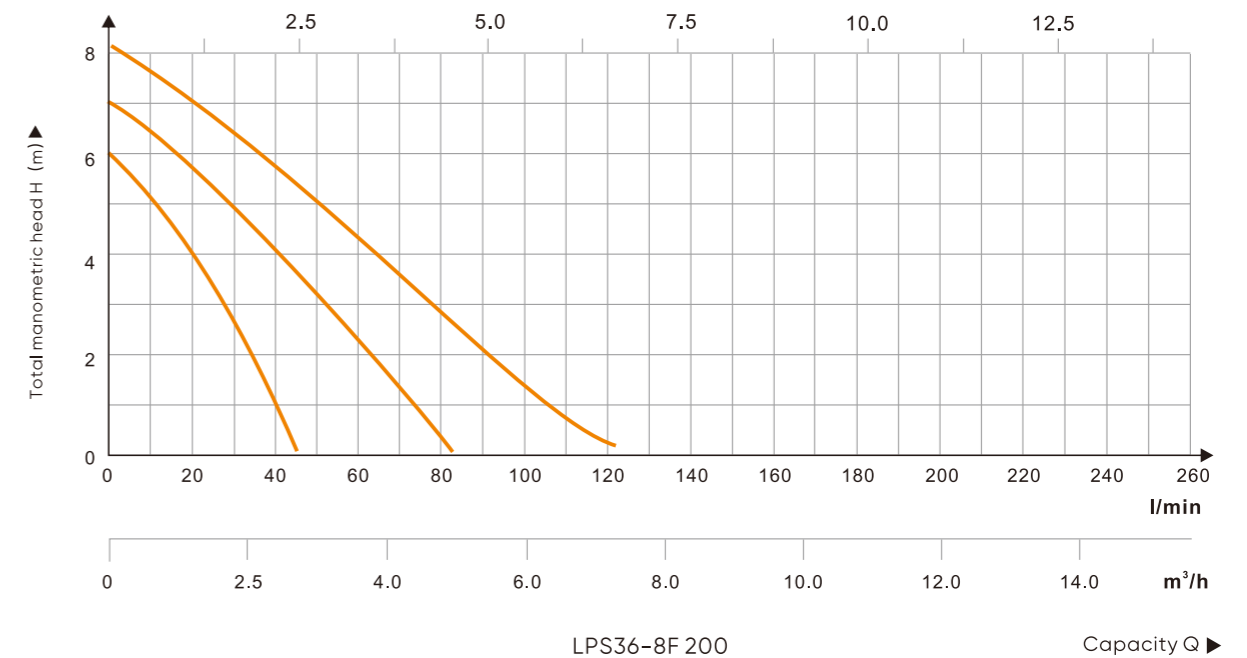
Creating The No.1 Hot Water Circulator Pump Manufacturer In China
打造中国热水循环泵第一品牌



Instructions 安装尺寸



Graphs 曲线图



| 型号 Model | 进出口径 Pipe size | 最大流量 Max-flow [l/min] | 最大扬程 Max-head [m] | 功率 Power [w] | 重量 G.W [kg] | 安装长度 Port to port [mm] |
|--------------|-------------------|--------------------------|----------------------|-----------------|----------------|---------------------------|
| LPS36-8F 200 | DN 40mm | 135 | 8 | 260/210/140 | 7 | 200 |
| LPS40-8F 200 | DN 40mm | 135 | 8 | 260/210/140 | 7 | 200 |

LRS Circulator Pump

Features Overview

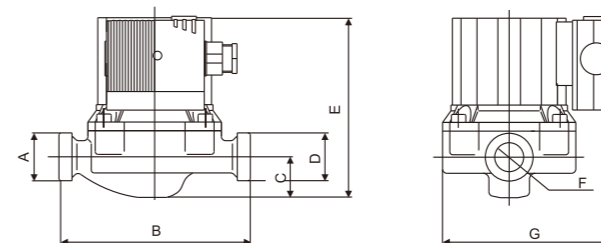
- Pump Body: Cast iron
- Impeller: PP/Stainless Steel
- Motor Housing: Aluminium
- Rotor Can: Stainless Steel
- Shaft: Ceramic /Stainless Steel
- Back Plate: Stainless Steel
- Bearing: Ceramic /Graphite
- Insulation Class: F
- Protection Class: IP 44



Creating The No.1 Hot Water Circulator Pump Manufacturer In China
打造中国热水循环泵第一品牌

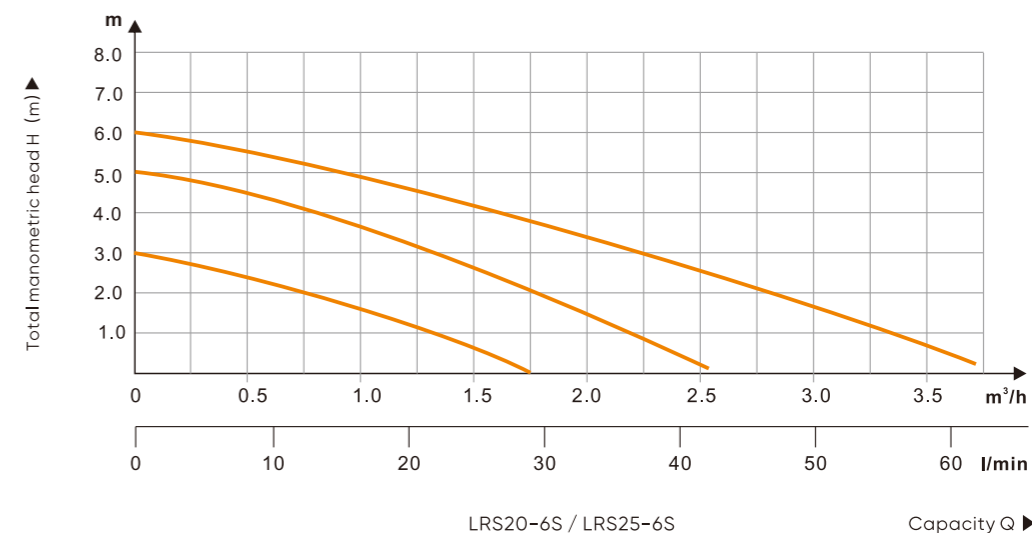
LONKEY
浪奇水泵

Instructions 安装尺寸



| 型号(Model) | A | B | C | D | E | F | G |
|-----------|--------|---------|----|--------|-----|----|-----|
| LRS32-6S | 2" | 180 | 28 | 2" | 128 | 32 | 121 |
| LRS32-4S | 2" | 180 | 28 | 2" | 128 | 32 | 121 |
| LRS25-6S | 1 1/2" | 130/180 | 28 | 1 1/2" | 128 | 25 | 121 |
| LRS25-4S | 1 1/2" | 130/180 | 28 | 1 1/2" | 128 | 25 | 121 |
| LRS20-6S | 1" | 130 | 28 | 1" | 128 | 20 | 121 |
| LRS20-4S | 1" | 130 | 28 | 1" | 128 | 20 | 121 |

Graphs 曲线图



| 型号 Model | 进出口径 Pipe size | 功率 Power [w] | 最大流量 Max-flow [l/min] | 最大扬程 Max-head [m] | 安装长度 Port to port [mm] | 重量 G.W [kg] |
|-------------|-------------------|-----------------|--------------------------|----------------------|---------------------------|----------------|
| LRS15-8.5Z | G 3/4, DN15mm | 100 | 30 | 8.5 | 160 | 3.2 |
| LRS20-4 | G 1", DN20mm | 65 | 46 | 4 | 130 | 2.6 |
| LRS20-6 | G 1", DN20mm | 100 | 52 | 6 | 130 | 2.6 |
| LRS20-4S | G 1", DN20mm | 65/46/30 | 46 | 4 | 130 | 2.6 |
| LRS20-6S | G 1", DN20mm | 100/67/46 | 52 | 6 | 130 | 2.6 |
| LRS25-4S | G 1 1/2", DN 25mm | 65/46/30 | 46 | 4 | 130/180 | 2.6 |
| LRS25-6S | G 1 1/2", DN 25mm | 100/67/46 | 65 | 6 | 130/180 | 2.8 |
| LRS32-4S | G 2", DN 32mm | 65/46/30 | 46 | 4 | 180 | 2.6 |
| LRS32-6S | G 2", DN 32mm | 100/67/46 | 65 | 6 | 180 | 2.9 |
| LRS20-8S | G 1", DN 20mm | 160/130/108 | 52 | 8 | 180 | 4.2 |
| LRS25-8S | G 1 1/2", DN 25mm | 160/130/108 | 65 | 8 | 180 | 4.2 |

LDB/LSR Circulator Pump

Features Overview

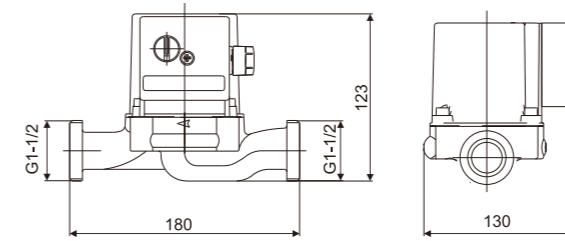
- Pump Body: Cast iron
- Impeller: PP/Stainless Steel
- Motor Housing: Aluminium
- Rotor Can: Stainless Steel
- Shaft: Ceramic /Stainless Steel
- Back Plate: Stainless Steel
- Bearing: Ceramic /Graphite
- Insulation Class: F
- Protection Class: IP 44



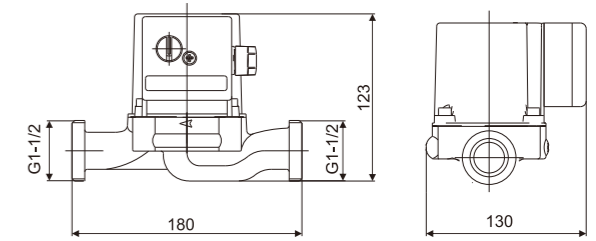
Creating The No.1 Hot Water Circulator Pump Manufacturer In China
打造中国热水循环泵第一品牌

LONKEY
浪奇水泵

Instructions 安装尺寸

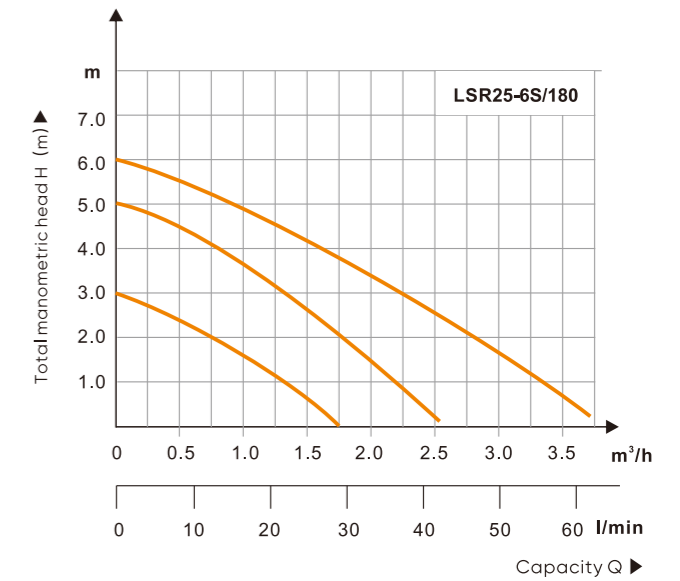
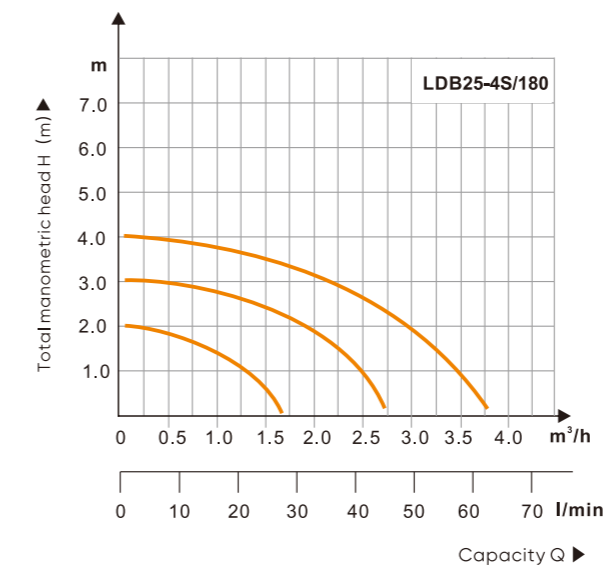


LDB25-4S/180



LSR25-6S/180

Graphs 曲线图



| 型号 Model | 进出口径 Pipe size | 功率 Power [w] | 最大流量 Max-flow [l/min] | 最大扬程 Max-head [m] | 安装长度 Port to port [mm] | 重量 G.W [kg] |
|---------------|-------------------|-----------------|--------------------------|----------------------|---------------------------|----------------|
| LDB25-4S/180 | G11/2",DN 25mm | 100/67/46 | 46 | 4 | 180 | 3.0 |
| LDB25-6S/180 | G11/2",DN 25mm | 100/67/46 | 65 | 6 | 180 | 3.0 |
| LDB25-4S/180N | G11/2",DN 25mm | 100/67/46 | 46 | 4 | 180 | 3.0 |
| LDB25-6S/180N | G11/2",DN 25mm | 100/67/46 | 65 | 6 | 180 | 3.0 |
| LSR25-4S/180 | G11/2",DN 25mm | 100/67/46 | 46 | 4 | 180 | 3.0 |
| LSR25-6S/180 | G11/2",DN 25mm | 100/67/46 | 65 | 6 | 180 | 3.0 |

LNX Circulator Pump

Features Overview

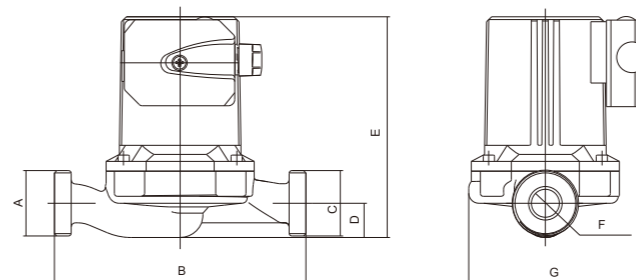
- Pump Body: Cast iron
- Impeller: PP/Stainless Steel
- Motor Housing: Aluminium
- Rotor Can: Stainless Steel
- Shaft: Ceramic /Stainless Steel
- Back Plate: Stainless Steel
- Bearing: Ceramic /Graphite
- Insulation Class: F
- Protection Class: IP 44



Creating The No.1 Hot Water Circulator Pump Manufacturer In China
打造中国热水循环泵第一品牌

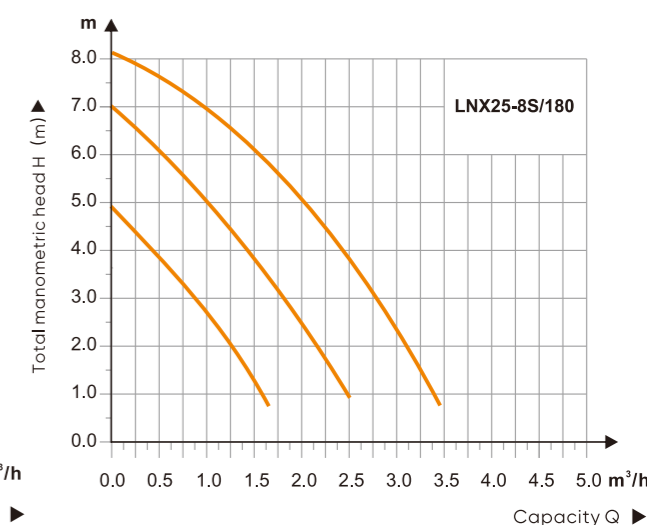
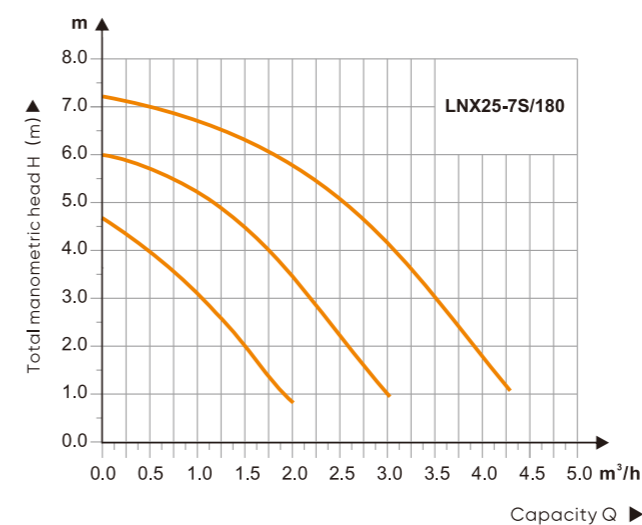
LONKEY
浪奇水泵

Instructions 安装尺寸



| 型号(Model) | A | B | C | D | E | F | G |
|--------------|--------|-----|------|--------|-----|----|-----|
| LNX25-6S/180 | 1 1/2" | 180 | 27.5 | 2" | 129 | 32 | 123 |
| LNX32-6S/180 | 2" | 180 | 27.5 | 1 1/2" | 129 | 25 | 123 |
| LNX25-7S/180 | 1 1/2" | 180 | 33 | 1 1/2" | 167 | 25 | 130 |
| LNX25-8S/180 | 1 1/2" | 180 | 25 | 1 1/2" | 158 | 25 | 132 |

Graphs 曲线图



| 型号 Model | 进出口径 Pipe size | 功率 Power [w] | 最大流量 Max-flow [l/min] | 最大扬程 Max-head [m] | 安装长度 Port to port [mm] | 重量 G.W [kg] |
|-------------|-------------------|-----------------|--------------------------|----------------------|---------------------------|----------------|
| LNX25-4S | G1 1/2", DN 25mm | 85/63/40 | 46 | 4 | 130/180 | 2.9 |
| LNX25-6S | G1 1/2", DN 25mm | 100/67/46 | 65 | 6 | 130/180 | 2.9 |
| LNX32-4S | G2", DN 32mm | 85/63/40 | 46 | 4 | 180 | 2.9 |
| LNX32-6S | G2", DN 32mm | 100/67/46 | 65 | 6 | 180 | 2.9 |
| LNX25-7S | G1 1/2", DN 25mm | 160/130/108 | 80 | 7 | 180 | 4.2 |
| LNX25-8S | G1 1/2", DN 25mm | 160/130/108 | 65 | 8 | 180 | 4.2 |

LPA Circulator Pump

Features Overview

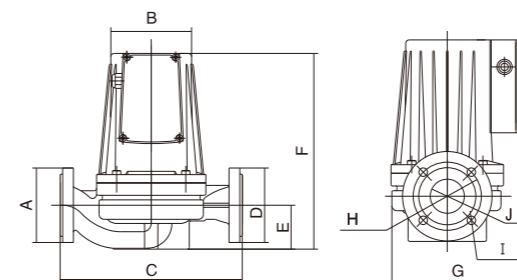
Pump Body: Cast iron
 Impeller: Stainless Steel
 Motor Housing: Aluminium
 Rotor Can: Stainless Steel
 Shaft: Stainless Steel
 Back Plate: Stainless Steel
 Bearing: Graphite
 Insulation Class: F
 Protection Class: IP 44



Creating The No.1 Hot Water Circulator Pump Manufacturer In China
 打造中国热水循环泵第一品牌

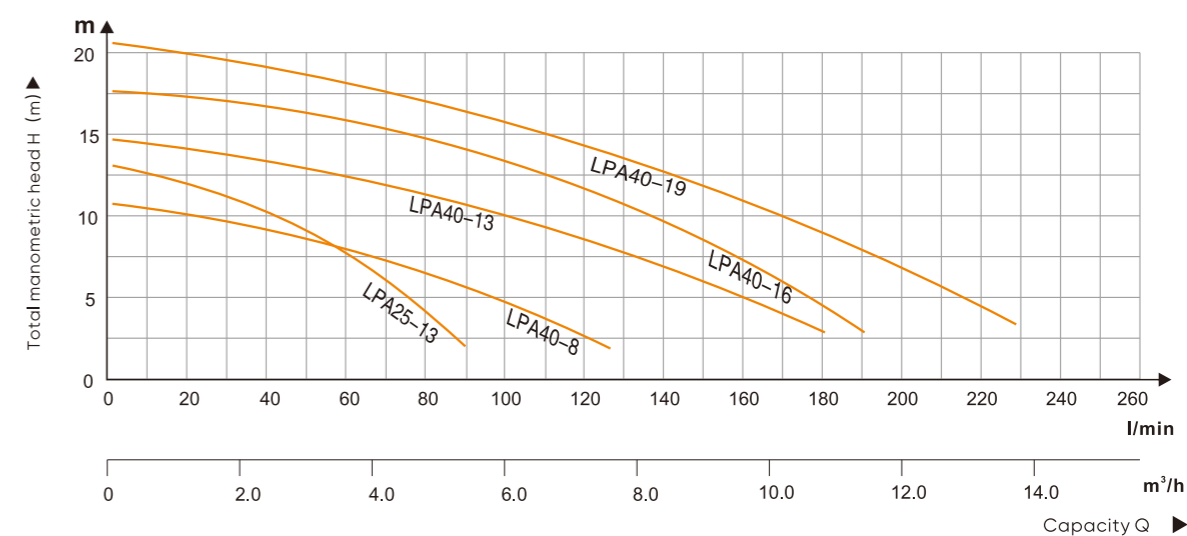
LONKEY
 浪奇水泵

Instructions 安装尺寸



| 型号(Model) | A | B | C | D | E | F | G | H | I | J |
|---------------|-----|-----|-----|-----|----|-----|-----|-----|-------|----|
| LPA40-8-370 | 130 | 98 | 220 | 130 | 67 | 250 | 165 | 100 | 4-φ13 | 40 |
| LPA40-13-550 | 130 | 98 | 220 | 130 | 67 | 250 | 165 | 100 | 4-φ13 | 40 |
| LPA50-8-550 | 140 | 98 | 220 | 140 | 75 | 260 | 165 | 110 | 4-φ13 | 50 |
| LPA40-16-700 | 130 | 125 | 250 | 130 | 67 | 295 | 190 | 100 | 4-φ13 | 40 |
| LPA50-10-700 | 140 | 125 | 280 | 140 | 75 | 305 | 198 | 110 | 4-φ13 | 50 |
| LPA40-19-1000 | 130 | 125 | 250 | 130 | 67 | 295 | 190 | 100 | 4-φ13 | 40 |
| LPA50-14-1000 | 140 | 125 | 280 | 140 | 75 | 305 | 198 | 110 | 4-φ13 | 50 |

Graphs 曲线图



| 型号 Model | 进出口径 Pipe size | 功率 Power [w] | 最大流量 Max-flow [l/min] | 最大扬程 Max-head [m] | 安装长度 Port to port [mm] | 重量 G.W [kg] |
|---------------|-------------------|-----------------|--------------------------|----------------------|---------------------------|----------------|
| LPA25-13-370 | DN 25mm | 370 | 90 | 13 | 190 | 6.5 |
| LPA40-8-370 | DN 40mm | 370 | 145 | 8 | 220 | 7.5 |
| LPA40-13-550 | DN 40mm | 550 | 180 | 13 | 220 | 8.5 |
| LPA50-8-550 | DN 50mm | 550 | 216 | 8 | 220 | 8.5 |
| LPA40-16-700 | DN 40mm | 700 | 250 | 16 | 250 | 15 |
| LPA50-10-700 | DN 50mm | 700 | 400 | 10 | 250 | 15 |
| LPA40-19-1000 | DN 40mm | 1000 | 250 | 19 | 250 | 16.5 |
| LPA50-14-1000 | DN 50mm | 1000 | 450 | 14 | 250 | 16.5 |
| LPA50-18-1300 | DN 50mm | 1300 | 450 | 18 | 280 | 22 |

LPE Booster Pump

Features Overview

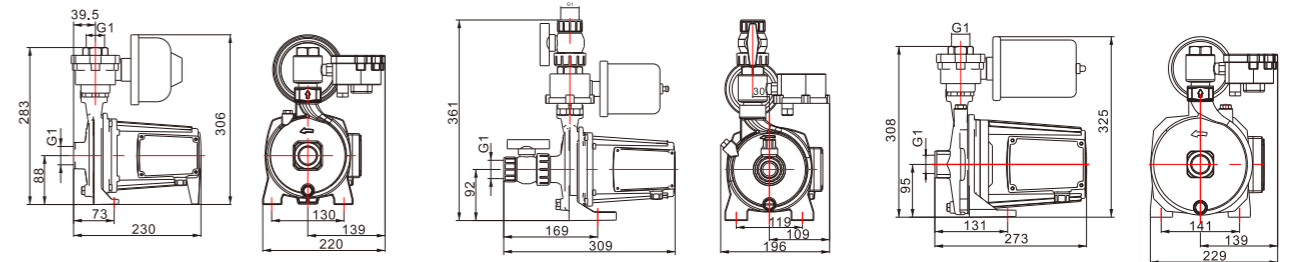
Pump Body: Cast iron
 Impeller: PEI/SS
 Motor Housing: Aluminium
 Rotor Can: Stainless Steel
 Shaft: Stainless Steel
 Back Plate: Stainless Steel
 Bearing: Graphite
 Insulation Class: F
 Protection Class: IP 44



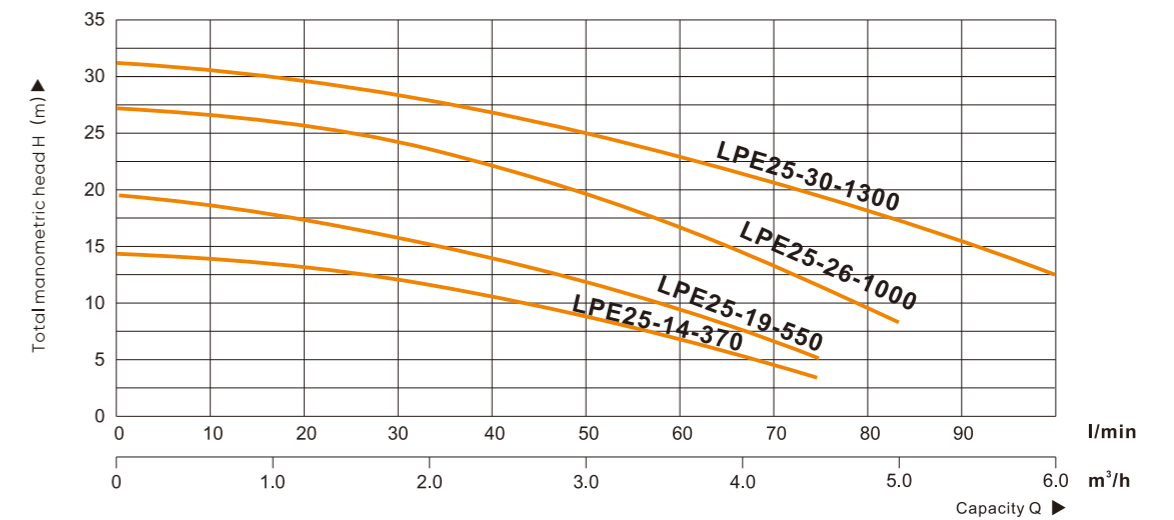
Creating The No.1 Hot Water Circulator Pump Manufacturer In China
 打造中国热水循环泵第一品牌

LONKEY
 浪奇水泵

Instructions 安装尺寸



Graphs 曲线图



| 型号 Model | 进出口径 Pipe size | 功率 Power [w] | 最大流量 Max-flow [l/min] | 最大扬程 Max-head[m] | 重量 G.W[kg] |
|---------------|-------------------|-----------------|--------------------------|---------------------|---------------|
| LPE25-14-370 | G1", DN25mm | 370 | 70 | 14 | 8 |
| LPE25-19-550 | G1", DN25mm | 550 | 75 | 19 | 9.5 |
| LPE25-26-1000 | G1", DN25mm | 1000 | 90 | 26 | 16 |
| LPE25-30-1300 | G1", DN25mm | 1300 | 100 | 30 | 18 |

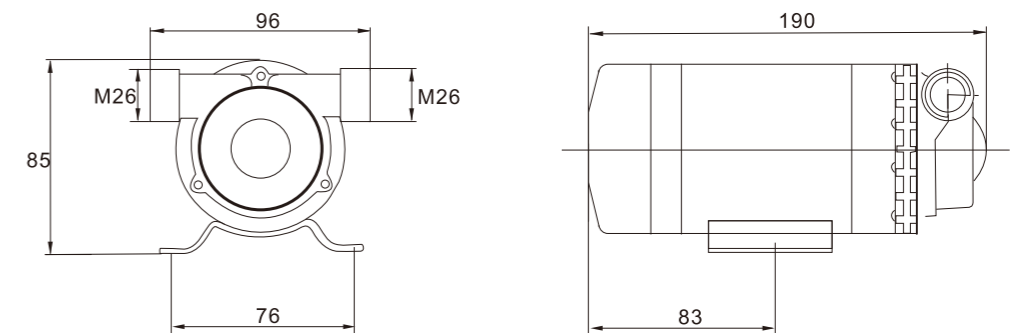
WZ/WBX Auto-boosting Pump



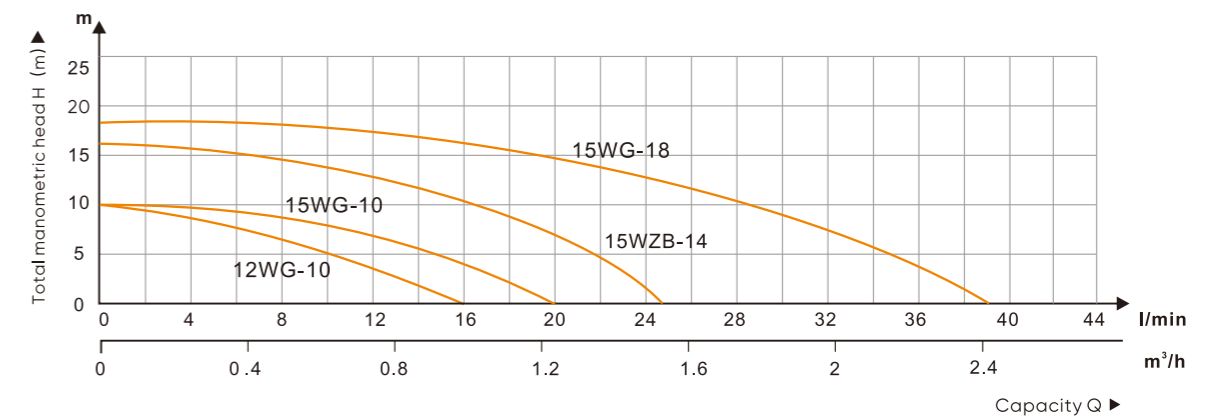
Creating The No.1 Hot Water Circulator Pump Manufacturer In China
打造中国热水循环泵第一品牌

LONKEY
浪奇水泵

Instructions 安装尺寸



Graphs 曲线图



| 型号 Model | 额定流量 Rated Capacity (l/min) | 最大流量 Max Capacity (l/min) | 额定扬程 Rated head (m) | 最高扬程 Max Head (m) | 额定功率 Rated Power (W) | 额定电压 Rated Voltage (V) | 转速 Speed (r/min) | 频率 Frequency (Hz) | 配管内径 Pipe Size (mm) | 外形尺寸 Overall Dimention (mm) |
|-------------|-----------------------------------|---------------------------------|---------------------------|-------------------------|----------------------------|------------------------------|------------------------|-------------------------|---------------------------|-----------------------------------|
| 12WG10-10 | 8 | 16 | 8 | 10 | 60 | 220 | 2800 | 50 | 12 | 95X103X200 |
| 15WG10-10 | 8 | 20 | 8 | 10 | 90 | 220 | 2800 | 50 | 15 | 95X103X200 |
| 12WZ10-10 | 8 | 20 | 8 | 10 | 90 | 220 | 2800 | 50 | 12 | 95X103X200 |
| 15WZ10-10 | 8 | 20 | 8 | 10 | 90 | 220 | 2800 | 50 | 15 | 95X103X200 |
| 15WGR10-10 | 8 | 20 | 8 | 10 | 90 | 220 | 2800 | 50 | 15 | 95X103X200 |
| 15WZR10-10 | 8 | 20 | 8 | 10 | 90 | 220 | 2800 | 50 | 15 | 95X103X200 |
| 15WBX10-10 | 8 | 20 | 8 | 10 | 80 | 220 | 2800 | 50 | 15 | 95X103X200 |
| 15WBX10-14 | 10 | 25 | 14 | 16 | 120 | 220 | 2800 | 50 | 15 | 112x130x185 |
| 15WBR10-14 | 10 | 25 | 14 | 16 | 120 | 220 | 2800 | 50 | 15 | 112x130x185 |
| 15WG-18 | 18 | 38 | 15 | 18 | 260 | 220 | 2800 | 50 | 18 | 112x155x215 |
| 18WZ-18 | 18 | 38 | 15 | 18 | 260 | 220 | 2800 | 50 | 18 | 112x155x215 |

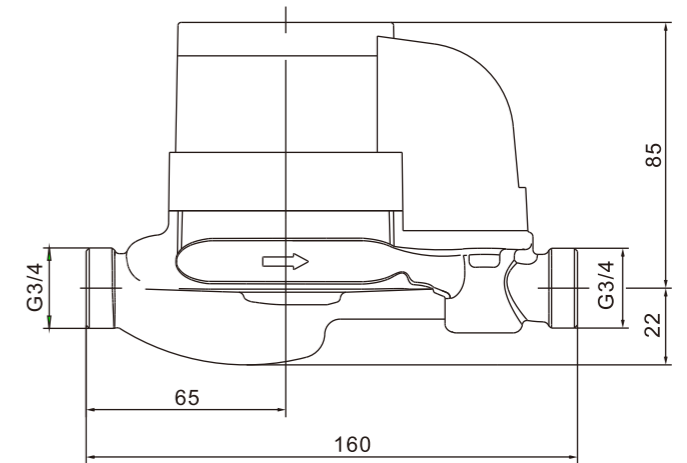
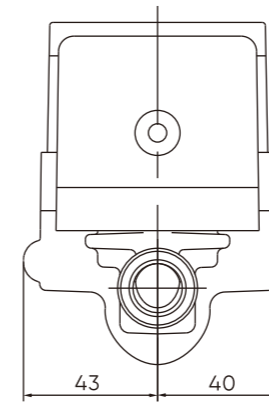
LDC Variable Frequency Booster Pump



Creating The No.1 Hot Water Circulator Pump Manufacturer In China
打造中国热水循环泵第一品牌



Instructions 安装尺寸



| 型号 Model | 进出口径 Pipe size | 功率 Power [w] | 最大流量 Max-flow [l/min] | 最大扬程 Max-head [m] | 电源 Power supply [V-A] |
|-------------|-------------------|-----------------|--------------------------|----------------------|--------------------------|
| LDC15-16 | DN15mm | 100 | 30 | 16 | DC24V-4.5A |
| LDC15-18 | DN15mm | 120 | 35 | 18 | DC24V-5.0A |
| LDC15-21 | DN15mm | 150 | 40 | 21 | DC24V-6.0A |
| LDC15-12B | DN15mm | 45 | 12 | 12 | DC24V-2.0A |
| LDC15-16B | DN15mm | 55 | 14 | 16 | DC24V-2.5A |



Super Power



Low Noise